



## System Integration for Monitoring Applications



LS OBSERVER

Custom Monitoring Systems



# System Integration for Specific Monitoring Needs

We do not 'only' deliver monitoring stations – our experts **integrate** them into your existing monitoring system, into the LS OBSERVER system and on whatever carrier you need – on **vehicles, ships, boats and aircraft**.

Our experts have rich experience in integrating all kinds of monitoring and direction finding stations and build **completely customised solutions for client specific requests** and a wide range of applications. If you need your monitoring devices and control centre on a vehicle for instance – whatever the size and make of the vehicle, from a compact car to a van or lorry, we deliver the monitoring solution that suits you best.

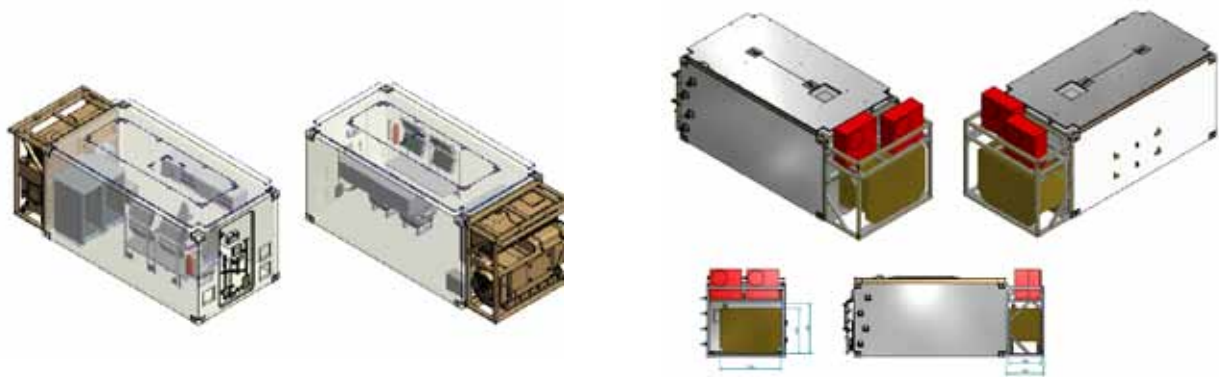
Depending on the customer's needs our solutions include our LS OBSERVER technology, 3rd party products and also new product developments.

Our turnkey solutions cover the complete system integration project from consulting, system design and development, through to production, testing, delivery, and finally training, maintenance and support.

The success of each individual monitoring system integration project is based on our dedicated and experienced team of experts in monitoring and radio technology, IT, programming, testing, technical drawing and project management.

## Monitoring System Integration for

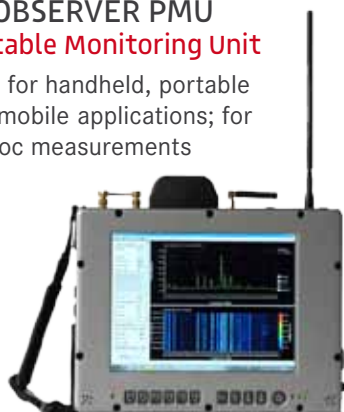
- Civilian regulatory monitoring (spectrum control)
- TV and radio broadcast monitoring
- Military applications: EWOC, ESM, etc.
- Maritime security / coast guards
- Border control
- Critical sites / area protection
- VIP protection



A family of 5 different types of Remote Monitoring Units (RMU) is available with LS OBSERVER de

### LS OBSERVER PMU Portable Monitoring Unit

Ideal for handheld, portable and mobile applications; for ad-hoc measurements



### LS OBSERVER FMU Fixed Monitoring Unit

Ideal for continuous measurements/long-term installation, to cover a large range of frequencies



### LS OBSERVER MMU Mobile Monitoring Unit

Ideal for drive-tests and commissioning measurements







Depending on your needs - for flexible use and a wide range of applications



**LS OBSERVER TMU**  
**Portable**  
**Monitoring Unit**

Ideal for temporary mobile and fixed measurements, battery powered.



**Airborne Measurement Service**  
**Using Remotely Piloted Aircraft (RPA)**

RF & antenna pattern measurements, site inspection and very mobile monitoring



Service offered by **Colibrex**  
Member of the LS telecom Group

# System Integration of Custom Monitoring Solutions

## Supported Technologies

- RF Measurement Capabilities
  - Monitoring
    - Classical
    - Sensor-based
    - Modern Technology
  - Geolocation
    - Direction Finding/AoA
    - PDoA
    - TDoA
    - Hybrid
    - Directive Antennas on rotor
    - MultiChannel Antennas
  - Signal Analysis
    - Signal Classification
    - Signal Recognition
    - Signal Decoding
  - Live Measurement
- Wireless Connectivity (Communication Link)
  - WiMax
  - Satellite
  - Mobile (UTMS, LTE)
  - WiFi
- Wired Connectivity (Communication Link)
  - Ethernet
  - Fiber-optic
- Power Supply Sources
  - AC Line
  - Batteries
  - Generators
- Usage
  - Manned or Unmanned
  - Local or Remote Control
  - Offline Automated Recorded Measurement
  - Online Live Measurement